

cleer

cleer

NEXT

WWW.CLEER.US

Copyright © 2018 Cleer Limited. All rights reserved.

THE CLEER STORY

IMMERSE YOURSELF IN THE MOMENT

**WE BELIEVE MUSIC
SHOULD BE EXPERIENCED,
NOT JUST HEARD.**

At Cleer, we're challenging the status quo by designing, manufacturing and globally distributing personal entertainment products that deliver emotive experiences at exceptional value. The proof is in your hands. NEXT Audiophile headphones embody our passion for authentic sound, quality craftsmanship and original, functional design. As we like to say at Cleer, why listen to music when you can live it?

Patrick Huang

Patrick Huang
Chief Executive Officer
Cleer, Inc.

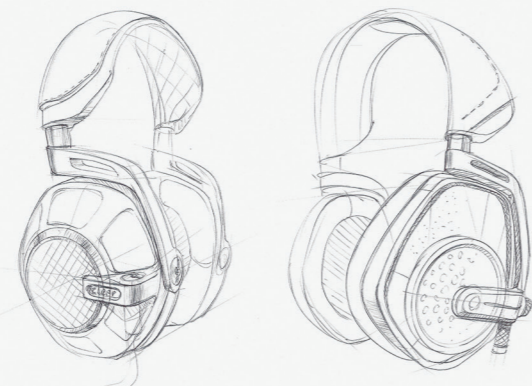
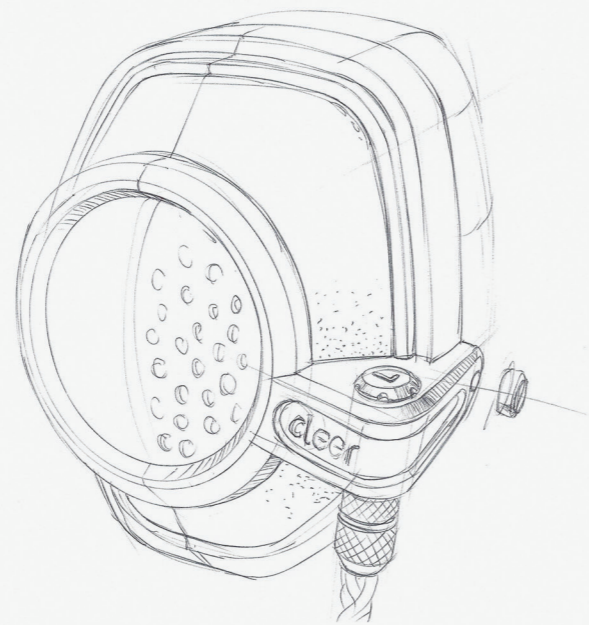
BUILT FOR PERFECTION

DYNAMIC BY DESIGN

Our design inspiration for the Cleer NEXT headphones was driven by a singular idea: headphones that evoke the feelings of a favorite timepiece. Every design decision was influenced by a desire to create a product that would be considered delightfully exquisite, intimately personal and intended for decades of enjoyment—with zero compromise in performance, durability or comfort.

The final design reflects this goal. We refined the details to showcase the painstaking craftsmanship that goes into making our headphones. We minimized weight and avoided features subject to obsolescence. We created something so beautiful and simple that it will remain timeless.

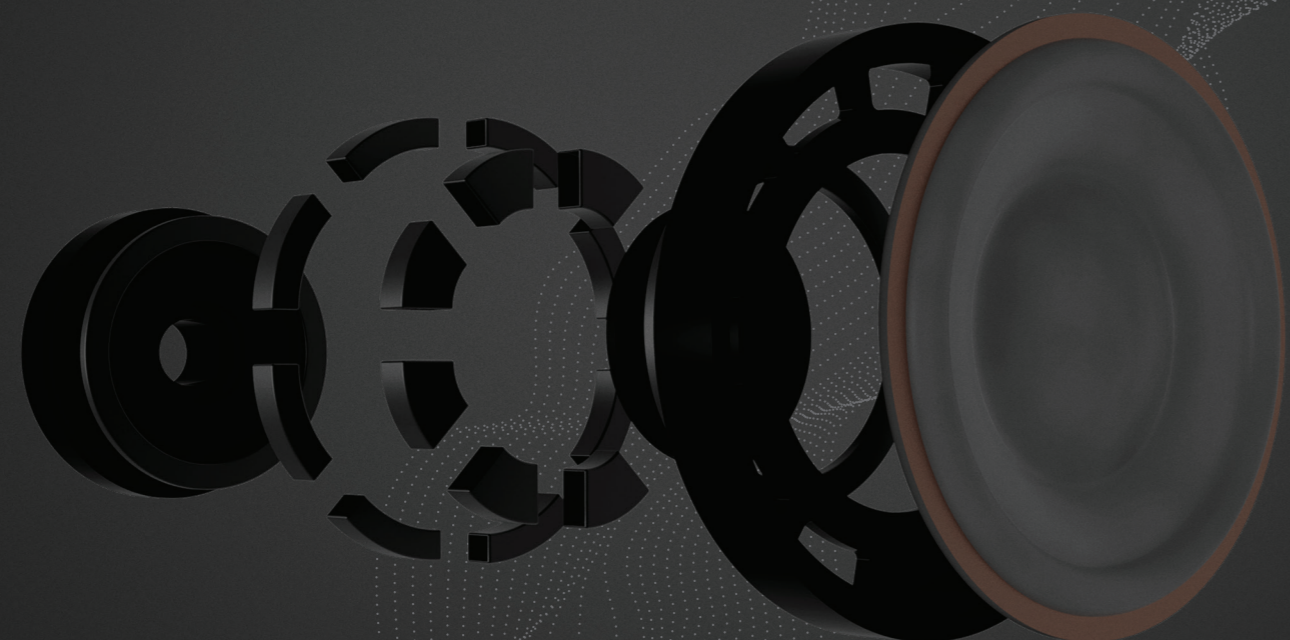
Designworks
A BMW Group Company



IRONLESS™ DRIVER TECHNOLOGY

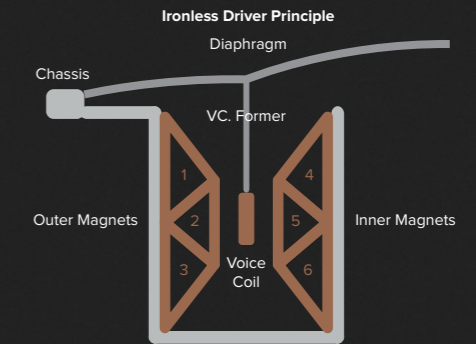
ELECTROMAGNETIC ENGINEERING

Surpassing conventional soft-iron, single magnet designs, the NEXT headphones employ a patented Ironless motor assembly paired with a proprietary magnesium diaphragm for an emotional listening experience.



IRONLESS TECHNOLOGY FOR PURE SOUND

Patented Ironless technology tackles complex distortion via 20 strategically layered, rare-earth magnets for effective voice coil control and efficient translation of electrical impulse into composed and expressive sound.



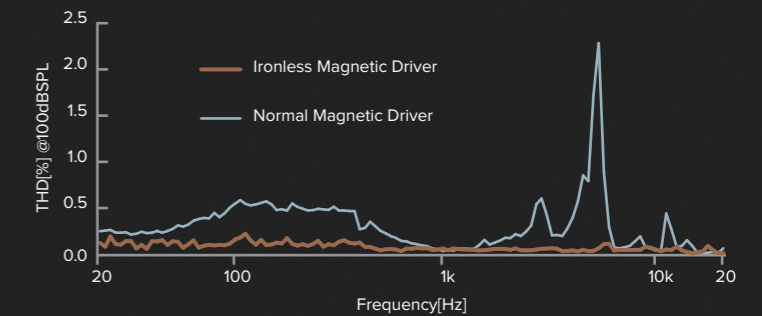
MAGNESIUM ALLOY FOR NATURAL RESPONSE

Our exclusive 40mm magnesium diaphragm balances high stiffness-to-weight with excellent damping characteristics for superior broadband audio reproduction complete with extended bass, smooth mids and vivid high-frequency response.



CONSISTENT REPRODUCTION FOR COMPLETE CLARITY

Ironless driver technology delivers efficient and low-distortion performance with a sensitivity of 92dB and a nominal impedance of 16-Ohms for compatibility with a wide range of devices: cell phones, DACs, DAPs and more extensive sound rigs.



A MOVING EXPERIENCE

LOUD AND CLEER

Discovering great new music can be one of the most intense experiences in one's life. An experience that one enjoys sharing. Just like a musician inspired by a preceding body of work, Cleer's innovation is based on the near century old electro-dynamic loudspeaker principle. Our Ironless™ magnet system is truly breaking the mold.

By eliminating the soft iron parts of the loudspeaker, and their inherent distortions, we have deftly solved one of the main issues of the transducers, and, in the process, removed a thick layer of the proverbial veil preventing the passionate listener from enjoying music to the fullest.

With the Cleer NEXT headphones, we may be writing the first chapter in our company's technological legacy, but more importantly, we are helping you uncover and share great new music and rediscover past favorites as if they were new.



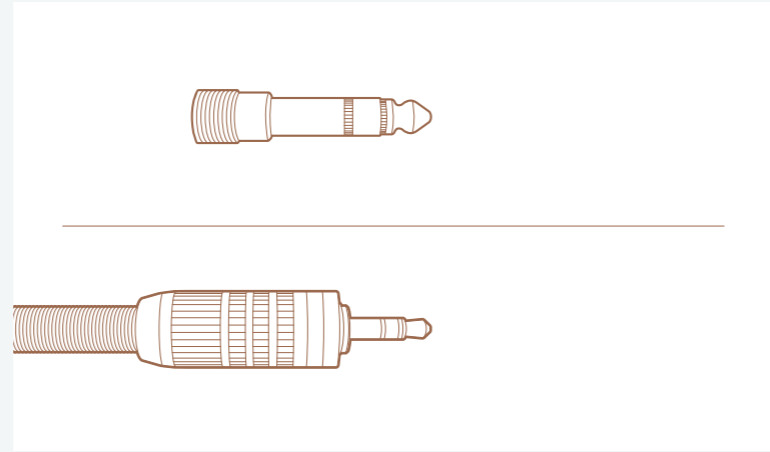
Mickael Lefebvre
Chief Technology Officer
Cleer, Inc.



USER'S GUIDE

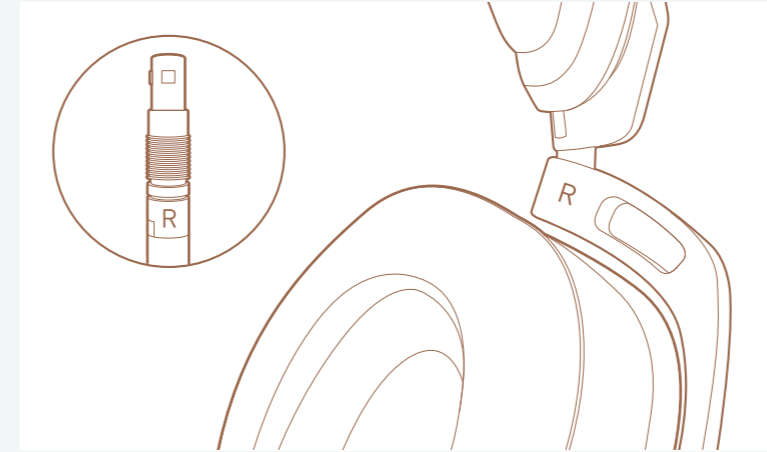
KNOW YOUR NEXT

Driver size:	40mm Ironless™ driver with magnesium diaphragm
Frequency response:	10Hz – 45kHz
Max. power handling:	90mW / 1.2V (10% THD)
Optimal power requirement:	10mW (0.4V)
Max. SPL:	112dB / 1kHz (1% THD)
THD:	<0.3% / 1mW / 1kHz
Sensitivity:	92dB / 1mW / 1kHz
Impedance:	16Ω
Weight:	395g



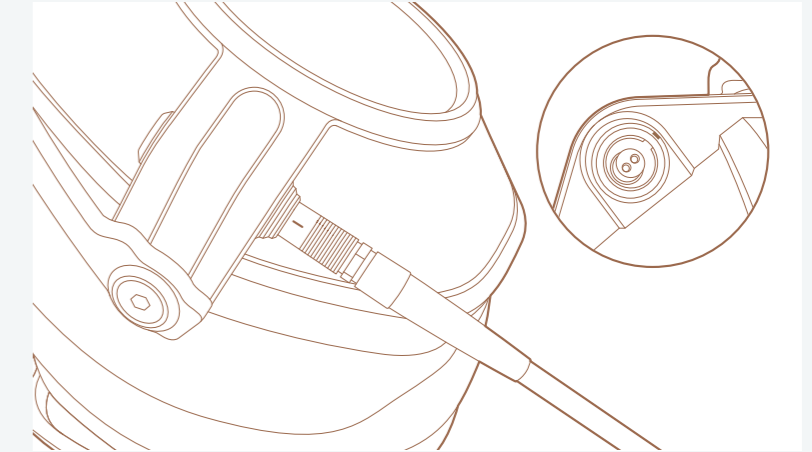
01

A 6.3mm adapter is provided for compatibility with your favorite home audio components.



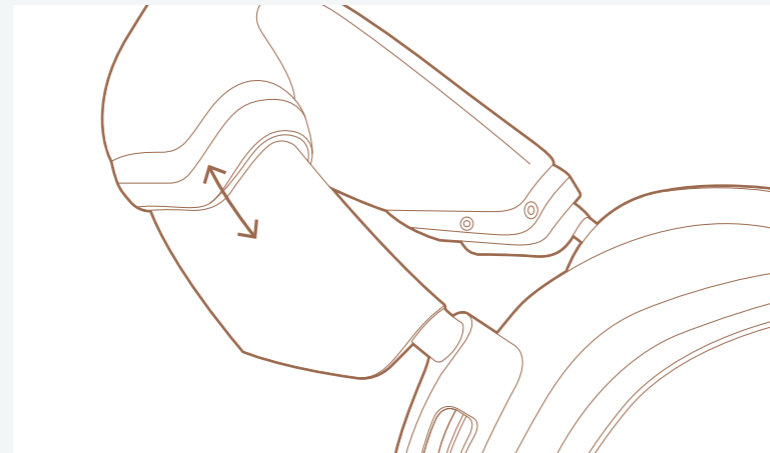
02

Locate the L and R marks on the inner side of the headphones. Match each side of the headphones with the corresponding audio plug.



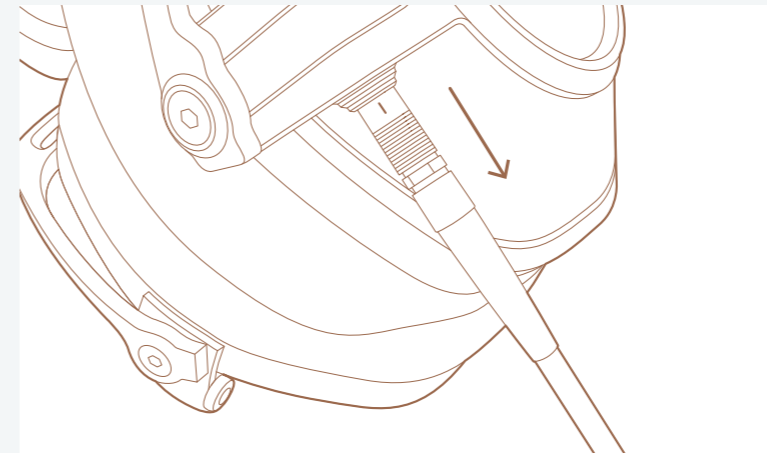
03

Align the red indicator on the audio plug with the corresponding mark on the socket and push the plug until it snaps into place.



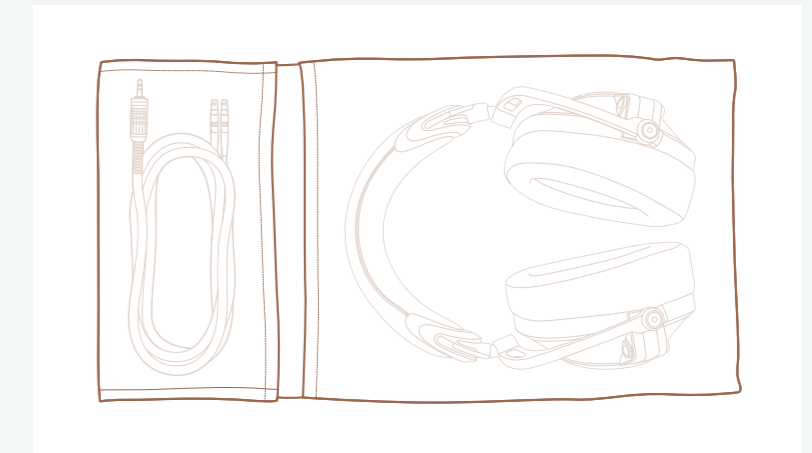
04

Slide the headband to adjust for comfort.



05

To remove the cable, pull on the knurled grip to disconnect the latches and withdraw the plug from the socket.



06

A dual-sided leather pouch is provided for proper storage. Always disconnect audio cables from headphones when storing to avoid accidental damage to the audio plugs.